

EPS Hardware Reference Manual



24CHANNEL DIGITAL NPN TYPE OUTPUT MODULE

EPS-DO24N

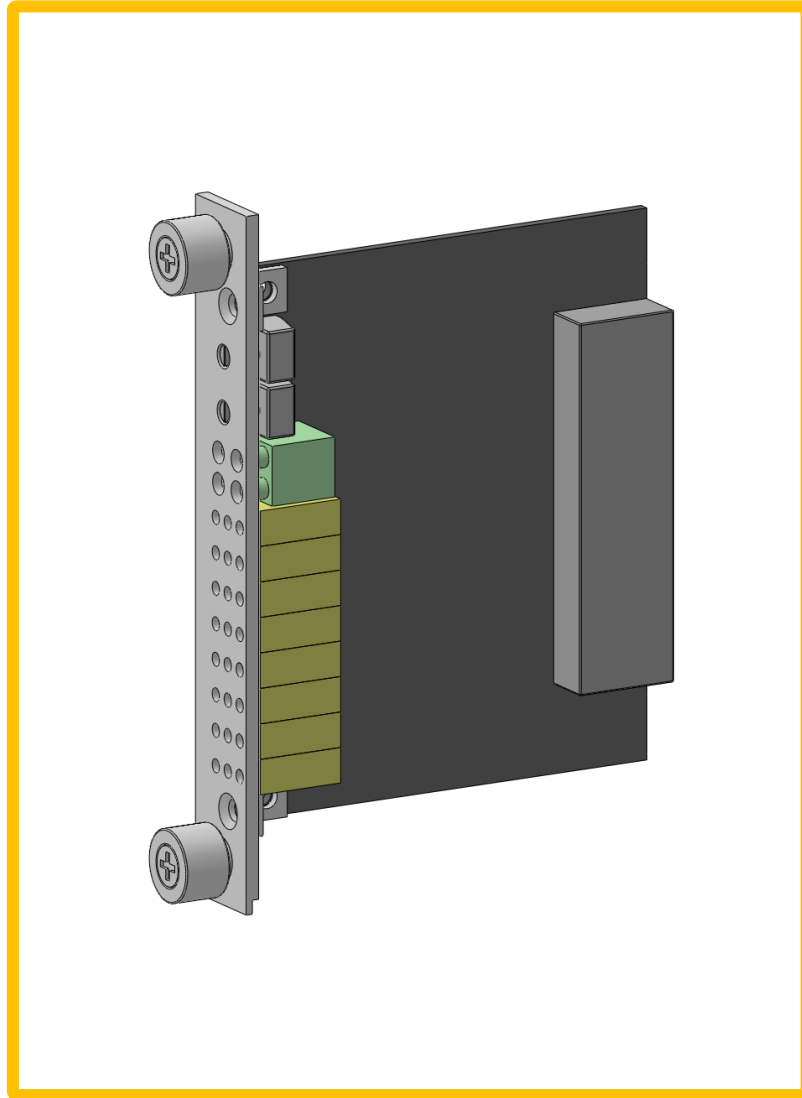
FEB 2016
©2016 COMIZOA, All rights reserved

Hardware Manual Revision : 1.0.1
Revision Data 2016. 02. 26

Table Of Contents

1	개요	1
2	제품사양	2
3	Block diagram	3
4	Interface Connect	4
5	Connector	5
6	Status LED	6
7	Device ID Setting	6
8	Digital 출력 신호	6

개요



EPS - DO24N (Digital NPN Output 24ch)

EPS-DO24N은 커미조아의 EtherCAT 기반 제어기의 24채널 Digital 출력 모듈입니다.

각 채널의 내부 제어신호와 외부 입출력 신호는 포토커플러를 사용하여 절연됩니다.

본 매뉴얼은 EPS-DO24N의 하드웨어 구성과 기능에 대해 설명하는 하드웨어 매뉴얼입니다.

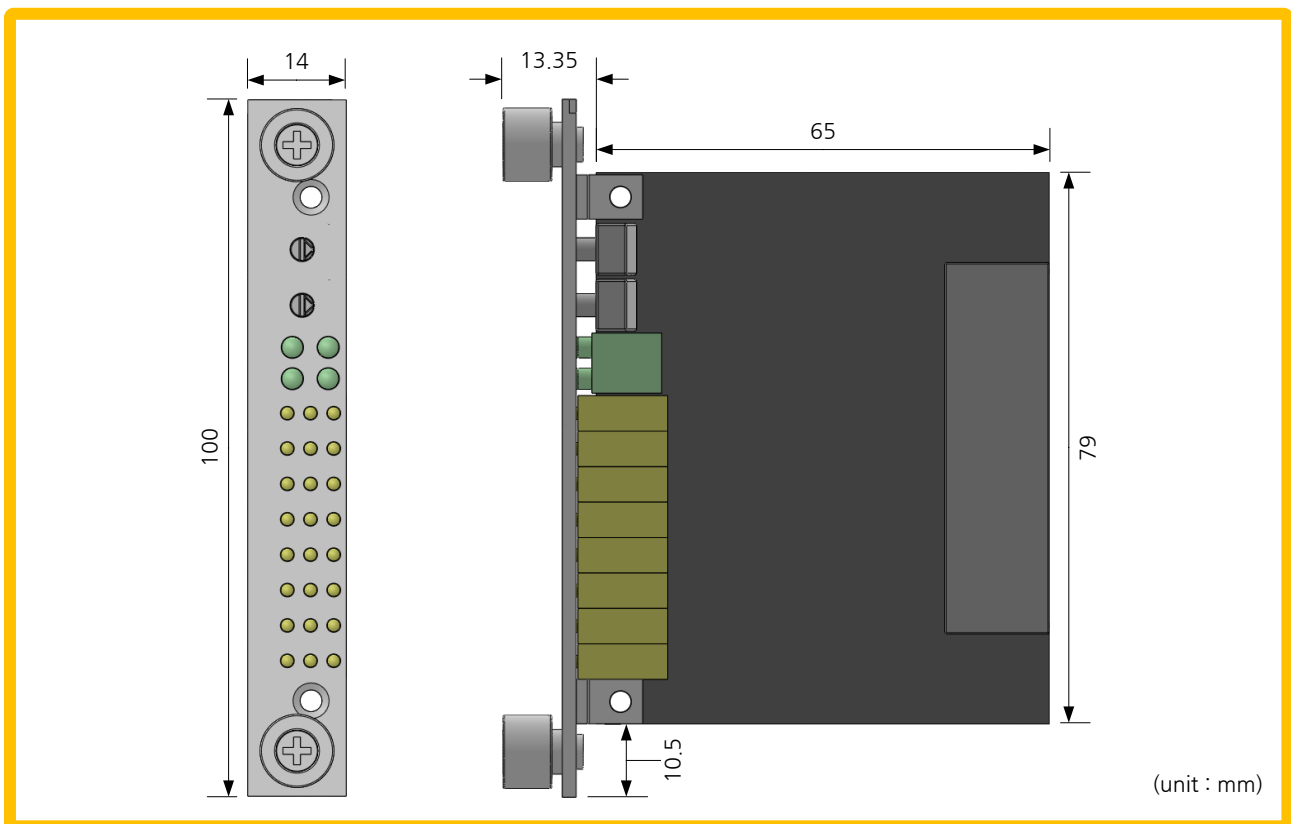
- EtherCAT Slave Module
- CiA Standard 401 and ETG.5001 Modular Device Profile
- Supports Terminal Device ID
- Digital I/O Power Over Current Protection
- Digital Output 24(NPN)
- Relay Output 4(SPST-NO, Using the Interface)
- Independent System Power

제품사양

Contents	Details
Dimension	78.35 * 100 * 14 (mm)
Operating Temperature	0°C ~ 50°C
Storage Temperature	-20°C ~ 80°C
Humidity	5% ~ 90%, non-condensing
Power consumption	Power supply input +3.3V DC ± 5%, 100mA max

Environmental Specification

ITEM	Details
Number of Outputs	24 output
Output type	MOSFET with common ground (NPN)
Isolation	Photo-coupler ($V_{iso} = 3,000V_{rms}$)
OFF State Current	Max. 100uA / Point
ON State Max Sink Current	Max. 500mA / Point
Rds (On state resistance)	Max. 1.4Ω (±5%)
Over-Temperature Shutdown	160°C
Over-Current Shutdown	Min. 0.7A ~ Max. 2A
Wiring contact (TE Connectivity)	INTERFACE : 1-1827875-5, 1-1827872-3, 1-1827875-0 CABLE : 1-1827864-5, 1-1827863-3, 1-1827864-0

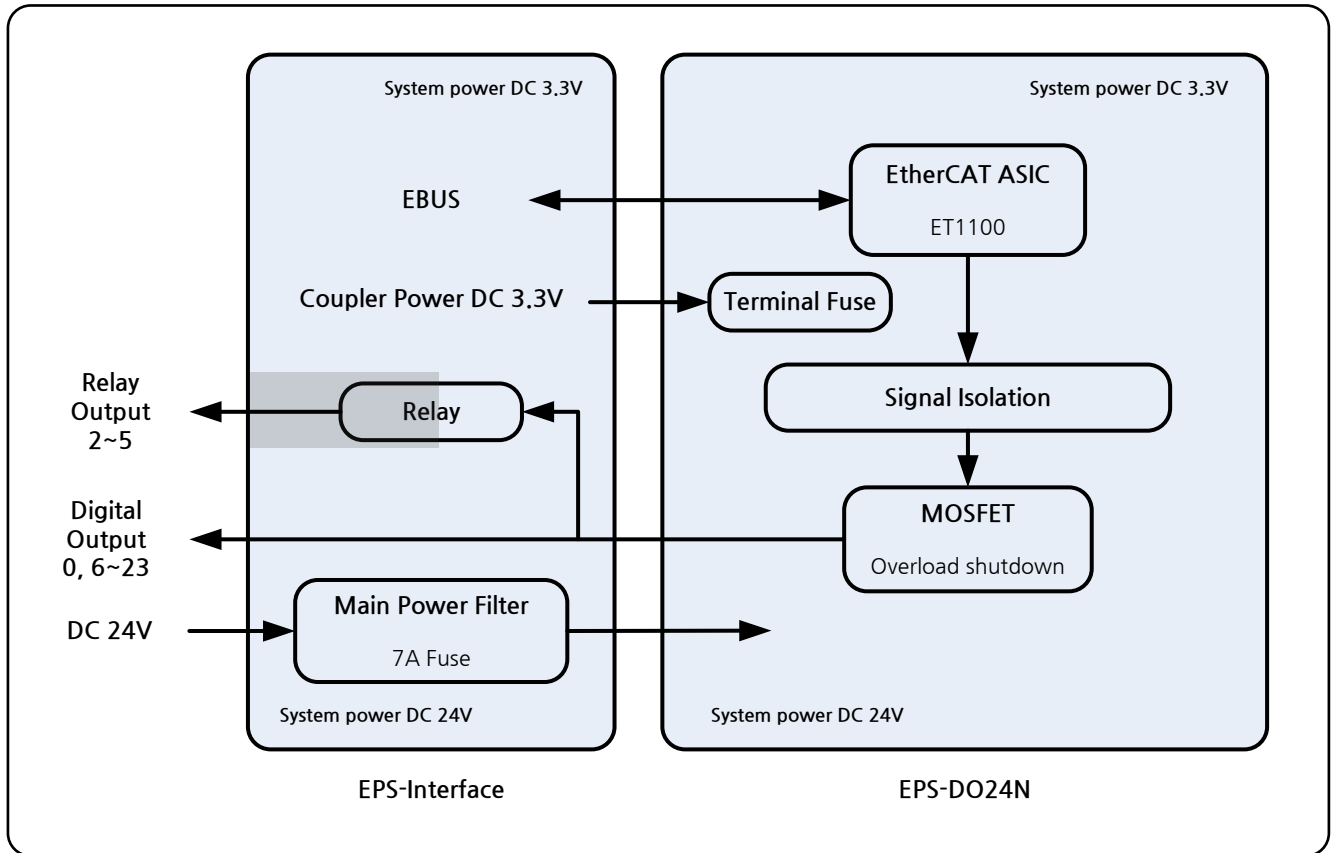
Digital Output Specification

Dimension

제품사양

Contents	Details
Number of Outputs	Relay 4 Output
Contact Configuration	SPST-NO
Contact Voltage	Max. 250V AC, Max30V DC
Contact Current Max	Max. 5A
Operate time [Set time]	Max. 10 ms
Release time [Reset time]	Max. 5 ms
Wiring contact (TE Connectivity)	PCB : 1-1827875-5, 1-1827875-0 CABLE : 1-1827864-5, 1-1827864-0

Relay Output Specification

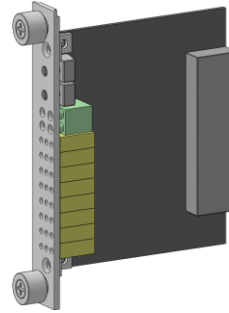
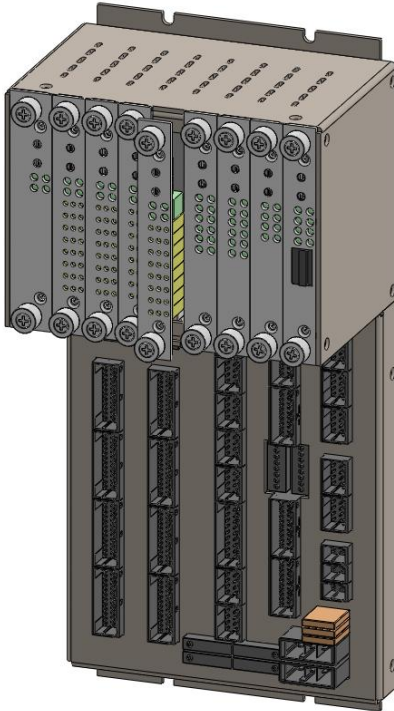
Block diagram



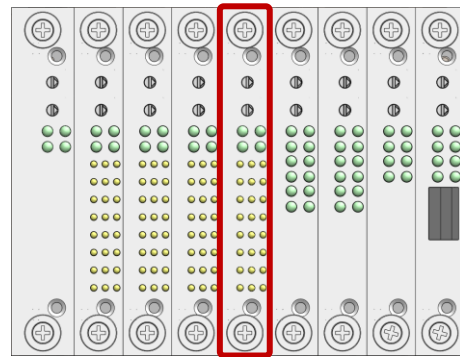
EPS-DO24N Block diagram

Interface

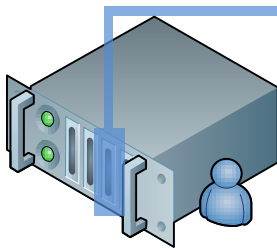
▣ EPS-CHAMBER Connect



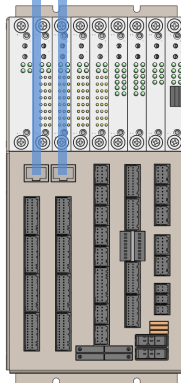
EPS-DO24N



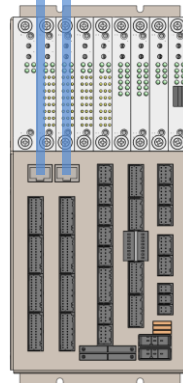
▣ Slave Connect



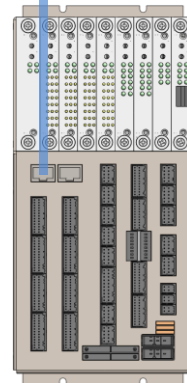
EtherCAT Master



EPS-CHAMBER (1)

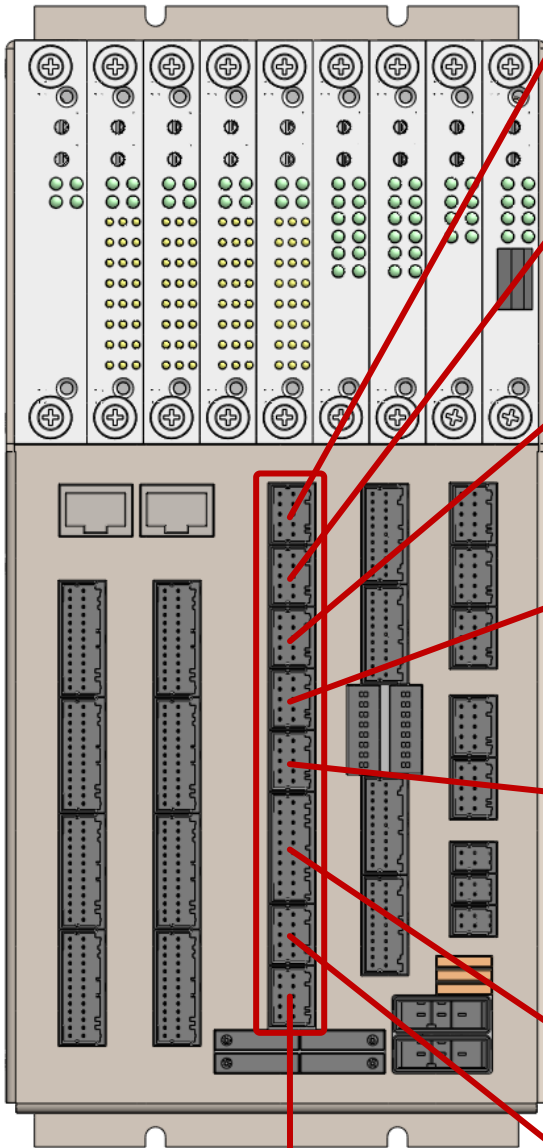


EPS-CHAMBER (2)



EPS-CHAMBER (n)

Connector



 A1 B1 A5 B5 1-1827875-5(DO 1)	Pin #	A	B
	1	P24V	DO 6
	2	P24V	DO 7
	3	P24V	DO 8
	4	P24V	DO 9
5	-	-	

 A1 B1 A5 B5 1-1827875-5(DO 2)	Pin #	A	B
	1	P24V	DO 10
	2	P24V	DO 11
	3	P24V	DO 12
	4	P24V	DO 13
5	-	-	

 A1 B1 A5 B5 1-1827875-5(DO 3)	Pin #	A	B
	1	P24V	DO 14
	2	P24V	DO 15
	3	P24V	DO 16
	4	P24V	DO 17
5	-	-	

 A1 B1 A5 B5 1-1827875-5(DO 4)	Pin #	A	B
	1	P24V	DO 18
	2	P24V	DO 19
	3	P24V	DO 20
	4	P24V	DO 21
5	-	-	

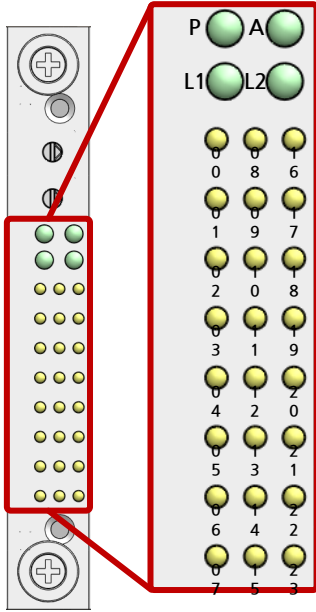
 A1 B1 A5 B5 1-1827875-5(DO 5)	Pin #	A	B
	1	P24V	DO 22
	2	P24V	DO 23
	3	P24V	-
	4	P24V	-
5	-	-	

 A1 B1 A10 B10 1-1827875-0 (PMC_BOX_IO)	Pin #	A	B
	1	N24V	DI 63
	2	OUT 02-1	OUT02-2
	3	N24V	DI 64
	4	OUT 03-1	OUT 03-2
	5	N24V	DI 65
	6	N24V	DI 66
	7	P24V	DO 00
	8	P24V	P24V_TRIP
	9	-	-
10	-	-	

 A1 B1 A5 B5 1-1827875-5(LFCIO)	Pin #	A	B
	1	N24V	DI 70
	2	N24V	DI 71
	3	OUT 04-1	OUT 04-2
	4	OUT 05-1	OUT 05-2
5	P24V	P24V	

 A1 B1 A5 B5 1-1827875-5(DOOR)	Pin #	A	B
	1	DI 67	N24V
	2	DI 68	N24V
	3	DI 69	N24V
	4	P24V	DO 1
5	-	-	

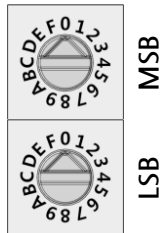
Status LED



P	BOX POWER LED	ON	BOX POWER(3.3V DC) ON
		OFF	BOX POWER(3.3V DC) OFF
A	EtherCAT AL STATE LED	OFF	INIT
		Blinking(slow)	PRE-OP
		Single Flash	SAFE-OP
		ON	OP
		Flickering(fast)	BOOTSTRAP
L1	E-BUS 0 STATE LED	Blinking(slow)	E-BUS Port 0 OPEN
		OFF	E-BUS Port 0 Closed
L2	E-BUS 1 STATE LED	Blinking(slow)	E-BUS Port 1 OPEN
		OFF	E-BUS Port 1 Closed
Digital Output	OUTPUT STATE LED 0, 1, 6 ~ 23	ON	OUTPUT ON STATE (Logic '1')
		OFF	OUTPUT OFF STATE (Logic '0')
	RELAY STATE LED 2 ~ 5	ON	OUTPUT ON STATE (Logic '1')
		OFF	OUTPUT OFF STATE (Logic '0')

※ DO 2 ~ 5는 Relay K1 ~ K4의 스위치로 사용되어 커넥터와 연결되지 않습니다.

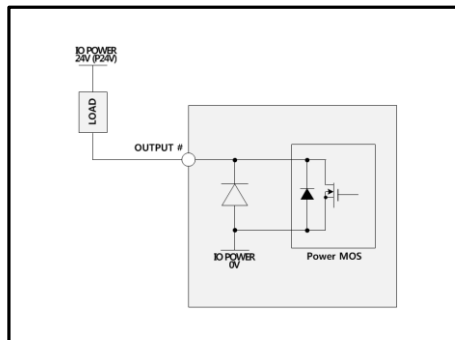
Device ID Setting



ID. Setting	$ID = MSB * 16 + LSB$
ID. Range	1 ~ 254

※ 각 Terminal의 ID는 Digital Input PDO로 입력됨.

Circuit Diagram (Digital Output)



Hardware Reference Manual Update List

No.	Version	Date	Changes in
1	1.00	2015.05.28	First Edition
2	1.01	2016.02.26	글꼴변경 (나눔고딕, 굴림)

EPS Reference Manual

Copyright holder : COMIZOA CO.,LTD
Copyright (c) by COMIZOA CO.,LTD. All right reserved.
2016. 02. 26.



COMIZOA CO.,LTD
<http://www.comizoa.com>
Tel) +82 - 42 - 936 - 6500
Fax) +82 - 42 - 936 - 6507

All the details including figures and programs included in this manual is protected by Korean Copyright.
Any parts of this manual can be copied or distributed without COMIZOA's permission.